

W White-Westinghouse

INTERNATIONAL

Factory Parts Catalog

| | |
|--------------------|-------------|
| Product No. | WSBH30V7LS0 |
| PNC | 0930000201 |
| Series | R134a |
| Color | stainless |
| Volts | 200 |
| Wiring Diagram | 242132401 |
| Market | Export |
| Energy Guide | 241981031 |
| Service Data Sheet | 242130300 |

INTERNATIONAL

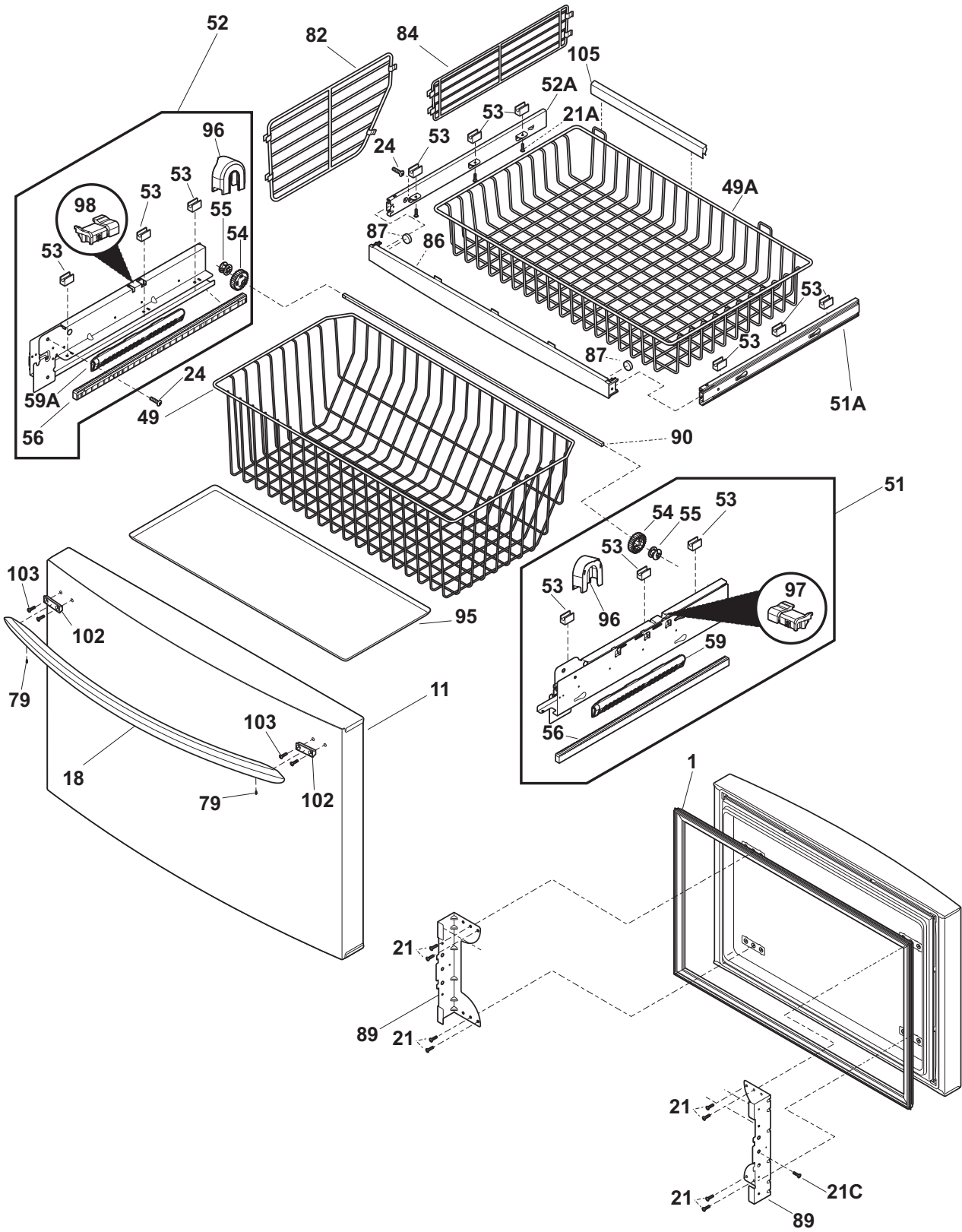
P.O. BOX 8020
CHARLOTTE, NC 28262

Publication No.
5995584231
11/01/18
(EN/SERVICE/LDS)
137

FRENCH DOOR BOTTOM FREEZER/REFRIGERATOR W/O DISPENSER

Model No.
WSBH30V7L

FREEZER DRAWER, BASKETS

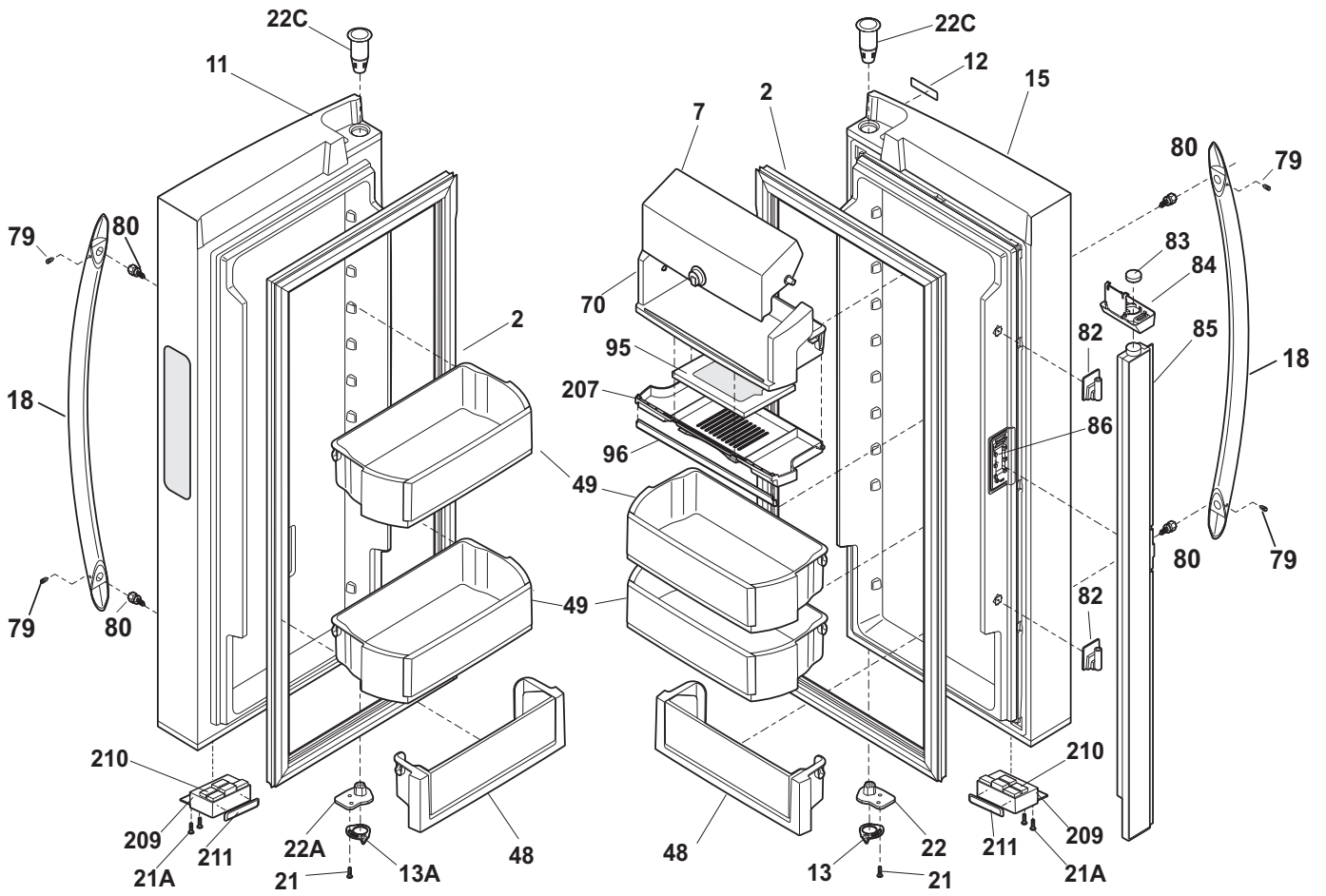


FDWSBH30V7LS0

FREEZER DRAWER, BASKETS

| POS. NO | PART NO. | DESCRIPTION |
|---------|-----------|---|
| 1 # | 241778308 | Gasket-frzr drawer, gray, magnetic |
| 11 | 241987921 | Door-frzr, stainless, complete assy |
| 18 | 242029401 | Handle-frzr basket |
| 18* | 241601001 | Wrench, allen |
| 18* | 241701902 | Screwdriver-3/32" balldriver |
| 21 | 240383407 | Screw, truss hd quad, #10-16 x .500, white |
| 21A | 241953902 | Screw, #8 - 18 X .380, 3 |
| 21C | 241899701 | Screw-#10-32 x 3/8 TRUSS HEAD, truss head, #10-32 x 3/8, zinc |
| 24 | 240383406 | Screw, truss hd quad, #10-16 x .500, zinc |
| 49 | 242026801 | Basket-frzr, lower |
| 49A | 241780805 | Basket-frzr, upper |
| 51 | 241883601 | Slide Assembly, basket lower, RH, freezer drawer |
| 51* | 242039701 | Screw |
| 51A | 241894201 | Slide Assembly, basket, RH, freezer drawer |
| 52 | 241883701 | Slide Assembly, basket lower, LH, freezer drawer |
| 52A | 241894203 | Slide Assembly, basket, LH, freezer drawer |
| 53 | 241824201 | Retainer-basket |
| 54 | 241770201 | Pinion |
| 55 | 241770301 | Pinion-idler |
| 56 | 241762801 | Rack, drawer travel |
| 59 | 241979702 | Closure, drawer |
| 59A | 241979701 | Closure, drawer |
| 79 | 218755407 | Screw-set, 10-32 x 0.500 |
| 82 | 242026901 | Divider, basket |
| 82* | 241999901 | Guide, divider, plastic (ABS), lower |
| 82* | 241999902 | Guide, divider, plastic (ABS), lower, LH |
| 84 | 241780901 | Divider, basket, upper |
| 86 | 241953202 | Bar, stabalizer, freezer drawer |
| 87 | 241812202 | Magnet, freezer drawer |
| 89 | 241972301 | Bracket-freezer drawer |
| 89* | 241899601 | Screw, hex whd, 1/4-20 x 3/8", connects frz, rails to door, (4) |
| 89* | 241979601 | Bumper, rubber |
| 90 | 241770702 | Bar, timing |
| 90* | 242011101 | Pin-lock |
| 95 | 241770808 | Tray, spill guard |
| 96 | 241973501 | Cover, pinion, white |
| 97 | 241926401 | Actuator, RH, white, light |
| 98 | 241926402 | Actuator, LH, white, light |
| 102 | 242029301 | Block-handle mtg |
| 103 | 242077302 | Screw, #10 AB flat hd |
| 105 | 242116801 | Trim-basket |
| * | 241899703 | Screw, truss head, #10-32 x 1/4, zinc |
| * | 241953901 | Screw, #8-18 |

FRESH FOOD DOOR

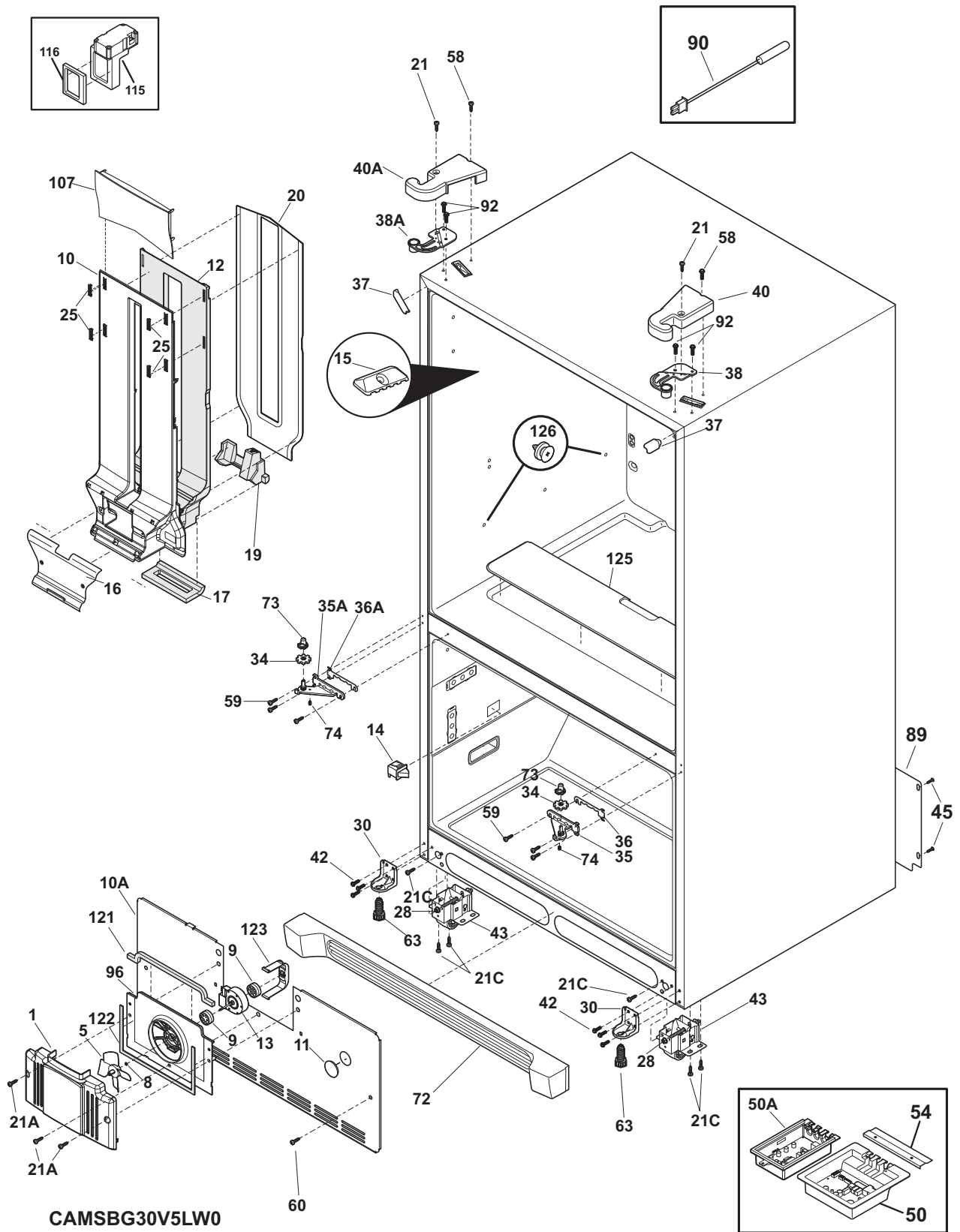


FFWSBH30V7LS0

FRESH FOOD DOOR

| POS. NO | PART NO. | DESCRIPTION |
|---------|------------|---|
| 2 # | 241778307 | Gasket-refr door, gray, magnetic |
| 7 | 242011401 | Door-dairy, removable |
| 11 | 241988082 | Door-refr, stainless, LH, non dispenser |
| 12 | 240578101 | Label-nameplate |
| 13 | 241868401 | Door Stop, refrig RH, plated |
| 13A | 241868402 | Door Stop, refr LH, plated |
| 15 | 241988081 | Door-refr, stainless, RH |
| 18 | 241930101 | Handle-door, stainless |
| 18* | 241601001 | Wrench, allen |
| 18* | 241701902 | Screwdriver-3/32" balldriver |
| 21 | 242017501 | Screw, 10-32 x 0.750 |
| 21A | 241953901 | Screw, #8-18 |
| 22 | 242075601 | Cam, upper hinge, RH |
| 22A | 242075602 | Cam, upper hinge, LH |
| 22C | 241760401 | Bearing, hinge, top |
| 48 | 242071401 | Bin-door, pseudo, white |
| 49 | 242037201 | Bin-door, gallon |
| 70 | 241804604 | Compartment-dairy, removable |
| 79 | 218755407 | Screw-set, 10-32 x 0.500 |
| 80 | 218755504 | Screw-shoulder, #10 AB, handle mounting |
| 82 | 241779401 | Hinge-mullion, upper/lower, flipper |
| 83 | 241812201 | Magnet, door |
| 84 | 241779702 | Guide-mullion flipper |
| 85 | 241778805 | Flipper mullion assembly |
| 85* | 242064001 | Screw |
| 85*# | 241788402 | Harness-wiring, flipper mullion |
| 86 | 241779801 | Hinge-mullion, center, flipper |
| 95 | 242047801 | Filter-air |
| 96 | 242048002 | Door-air filter |
| 207 | 242047901 | Housing-air filter |
| 209 | 242021001 | Housing-magnet, white |
| 210 | 241779103 | Magnet, door |
| 211 | 241979601 | Bumper, rubber |
| * | 241891401 | Cover-light, LED |
| * | 242015001 | Screw, #10 8-19 x 1/2 |
| * | 242068601 | Bumper, RH door |
| * | 242103001 | Connector-water, straight |
| * # | 242045401 | Harness-wiring, door |
| * # | 5303918371 | Dispenser heater kit, 115 |

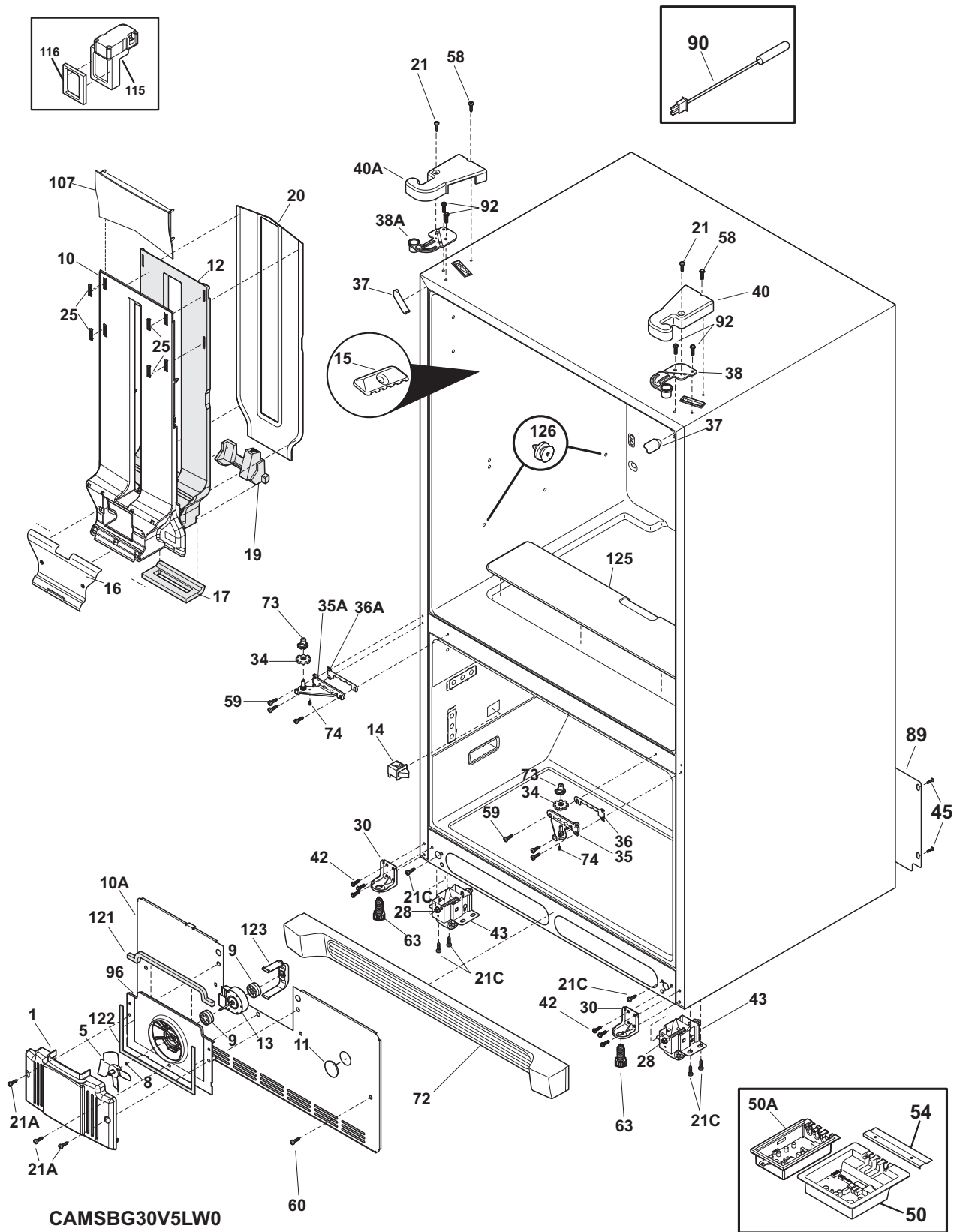
CABINET



CABINET

| POS. NO | PART NO. | DESCRIPTION |
|---------|------------|--|
| 1 | 241859701 | Cover-fan |
| 5 # | 5308000010 | Fan Blade, red, evaporator fan |
| 8 | 215474201 | Washer, "slinger", nylon, evap fan shaft |
| 9 | 241518301 | Bushing, motor mounting |
| 10 | 242072002 | Cover-air duct |
| 10*# | 242061601 | Harness-wiring, air duct |
| 10A | 241860402 | Cover-evap coil, lower |
| 10A* | 241860104 | Gasket-coil cover |
| 10A* | 241860105 | Gasket-coil cover |
| 11 | 5303208309 | Plug-hole, factory test |
| 12 | 242072402 | Insulation-air duct |
| 13 # | 241509402 | Motor, evaporator fan |
| 14 # | 240505801 | Switch, light/lamp |
| 15 # | 241891102 | Light-LED |
| 16 | 242072101 | Cover-damper |
| 16* | 241953904 | Screw, #8-18 |
| 16* | 242072501 | Cover-EPS, damper |
| 17 | 242071901 | Gasket-air duct/liner |
| 19 | 242072601 | Support-EPS damper |
| 20 | 242072201 | Cover-air duct, rear |
| 21 | 241548003 | Screw, 10-32 x 3/8 |
| 21A | 241953901 | Screw, #8-18 |
| 21C | 218252201 | Screw, #8 truss hd, 10-32CA x 0.500 |
| 25 | 241949502 | Clip, air vent |
| 28 | 240335502 | Bolt-roller adj, hex washer head, 1/4-20 x 4.020, (2), special |
| 30 | 241778701 | Bracket-anti tip |
| 34 | 241868301 | Washer, hinge, nylon, (2) |
| 35 | 241767205 | Hinge-lower, RH |
| 35A | 241767206 | Hinge-lower, LH |
| 36 | 241868201 | Spacer, door, lower RH |
| 36A | 241868202 | Spacer, door, lower LH |
| 37 | 240337615 | Trim-cabinet corner, gray, (2) |
| 38 | 241761301 | Bracket-upper hinge, RH |
| 38A | 241761302 | Bracket-upper hinge, LH |
| 40 | 242099809 | Cover-upper hinge, gray, RH |
| 40A | 242099810 | Cover-upper hinge, gray, LH |
| 42 | 240578902 | Screw, hex head, 1/4-20 x 5/8 |
| 43 | 240335006 | Roller Assy, front, (2) |
| 45 | 241500303 | Screw, hex washer head, 8-18AB x 1/2 |
| 50 # | 241996341 | Board-main power, 220 |
| 50*# | 242068401 | Harness-wiring |
| 50A# | 241891603 | Board-LED power |
| 50A* | 241852501 | Clip, wiring harness |
| 54 | 241532401 | Channel |
| 58 | 218781101 | Screw, pan head, 8-18 x 0.625 |
| 59 | 240442706 | Screw-#10-32 X 3/4, zinc |
| 60 | 218362501 | Screw, hex washer head, 8-18AB x 1.250, spacer, (2) |
| 63 | 216396900 | Screw, leveling foot, plastic, adjustable |
| 72 | 242054801 | Grille/Kickplate |
| 73 | 242075701 | Cam-lower hinge |
| 74 | 242026701 | Screw, #6-32 x 9/16 |

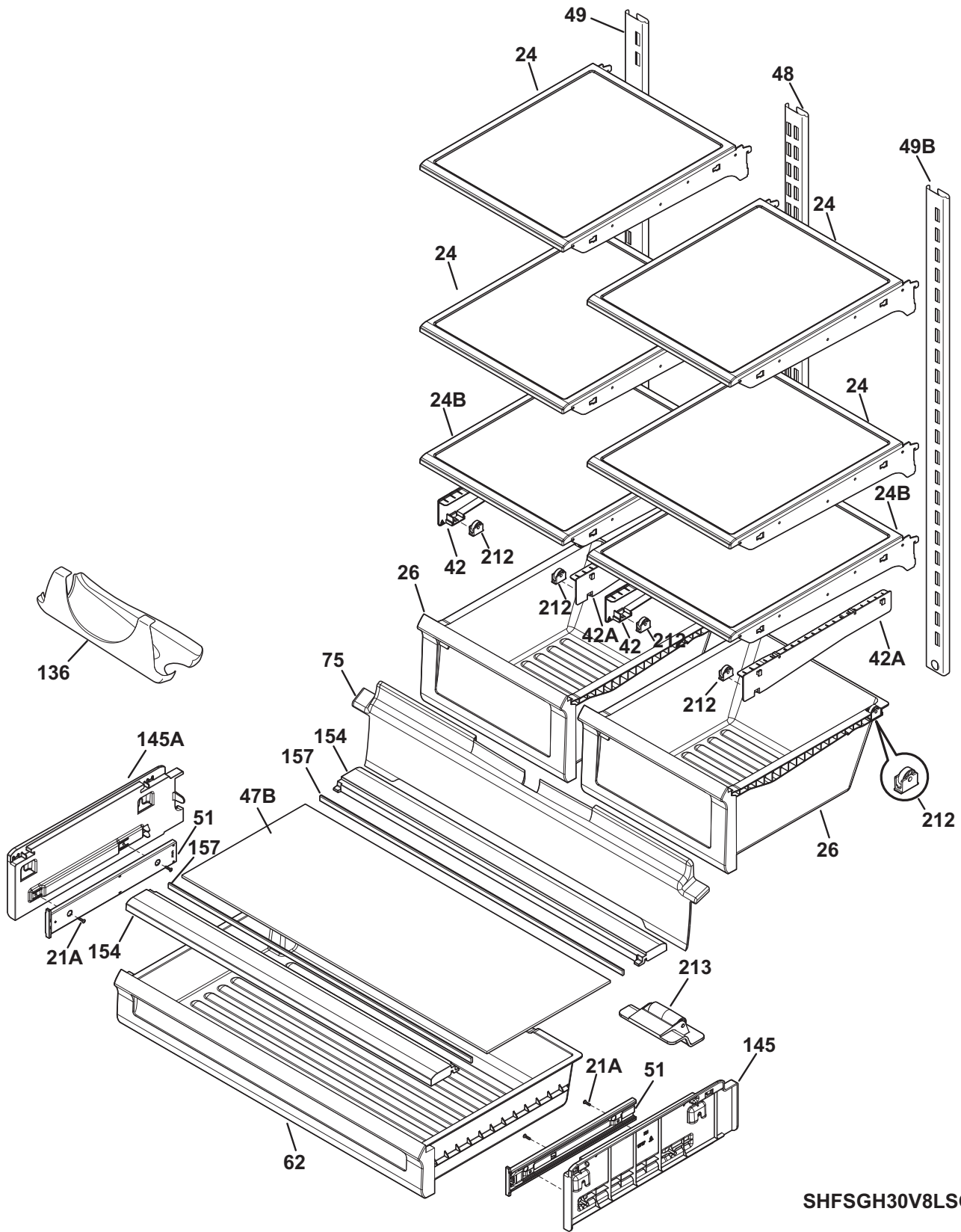
CABINET



CABINET

| POS. NO | PART NO. | DESCRIPTION |
|---------|------------|--|
| 89 | 241736406 | Cover-access, with label |
| 90 | 240597203 | Sensor |
| 92 | 241710601 | Screw, hex washer hd, 1/4 x 7/8, hinge mtg |
| 96 | 241860601 | Shroud-evap fan mtg |
| 107 | 241963102 | Duct-air, top |
| 115 | 241518501 | Damper, motorized |
| 116 | 241518601 | Seal-damper, foam |
| 121 | 241860103 | Gasket-evap, upper |
| 122 | 241860102 | Gasket-evap, bottom |
| 123 | 241517701 | Clip, evap fan motor |
| 125 | 242071201 | Cover, sump |
| 126 | 242081301 | Screw-shoulder |
| * | 240479601 | Plug, button, cab liner holes |
| * | 241969001 | Cap, screw |
| * | 242006902 | Duct-air, freezer |
| * | 242025201 | Pipe, foam |
| * | 5303918416 | Thermistor kit, T-3 suction lin, icemaker |

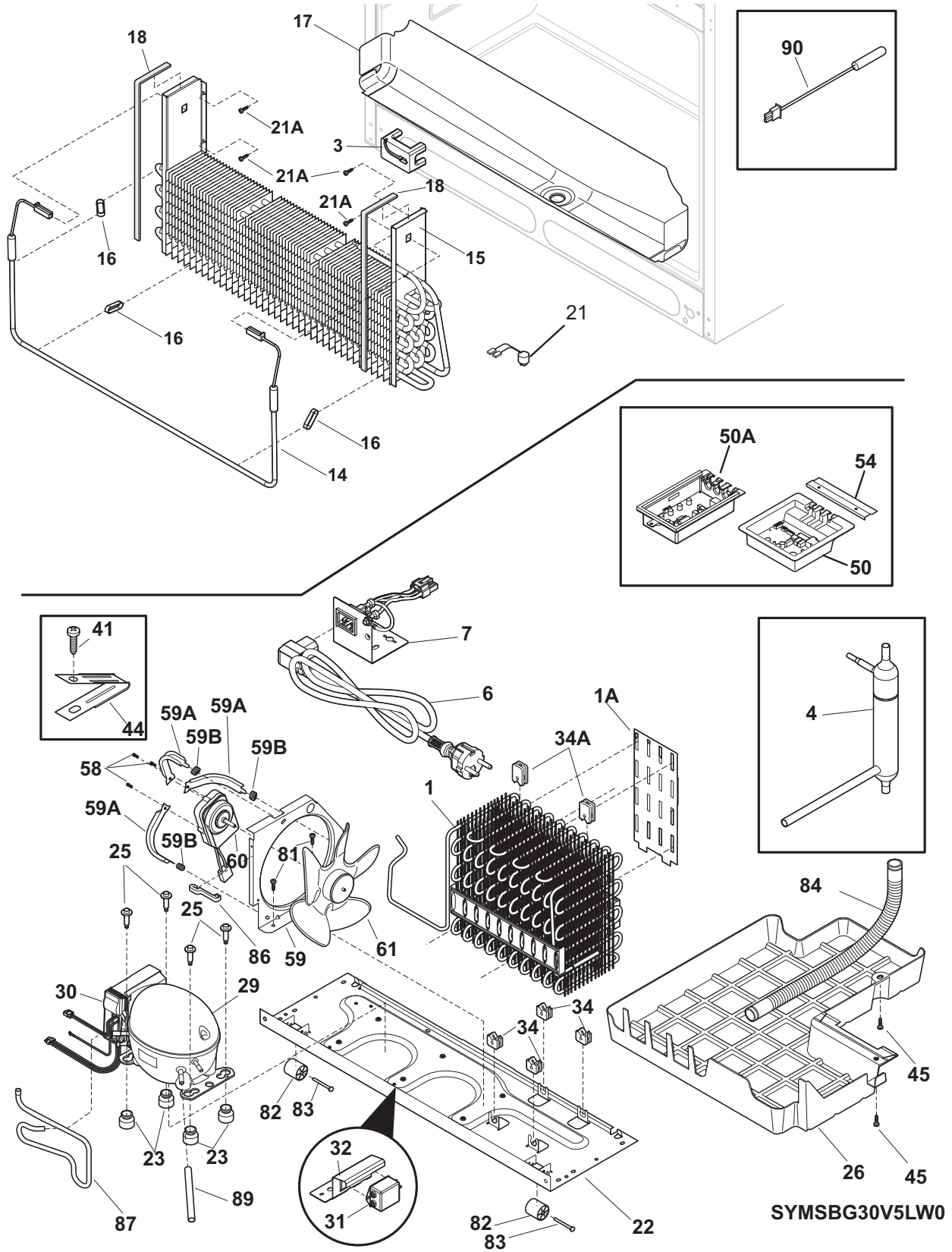
SHELVES



SHELVES

| POS. NO | PART NO. | DESCRIPTION |
|---------|------------|---|
| 21A | 241953902 | Screw, #8 - 18 X .380, 3 |
| 24 | 242068701 | Shelf-"Spill-Safe", cantilever, sliding |
| 24B | 242068703 | Shelf-"Spill-Safe", fixed |
| 26 | 241801802 | Pan-crisper |
| 42 | 242067901 | Support, crspr pan rolle |
| 42* | 241953901 | Screw, #8-18 |
| 42A | 242067801 | Support, crspr pan rolle |
| 47B | 242082301 | Glass, deli cover |
| 48 | 242122101 | Channel-shelf mtg, center |
| 49 | 242122202 | Channel-shelf mtg, side, LH |
| 49B | 242122301 | Channel-shelf mtg, side, RH |
| 51 | 242065301 | Slide-deli |
| 62 | 242096802 | Pan-deli |
| 75 | 242072702 | Shield-light, refr |
| 136 | 241657701 | Dispenser-can, white |
| 145 | 242082201 | Support, rail |
| 145A | 242082202 | Support, rail |
| 154 | 242082401 | Support |
| 154* | 242015001 | Screw, #10 8-19 x 1/2 |
| 157 | 241872201 | Beam-crisper cover |
| 212 | 5304479194 | Roller Assembly, crisper pan |
| 213 | 242010901 | Roller Assy, deli pan |
| * | 241981031 | Energy Guide |

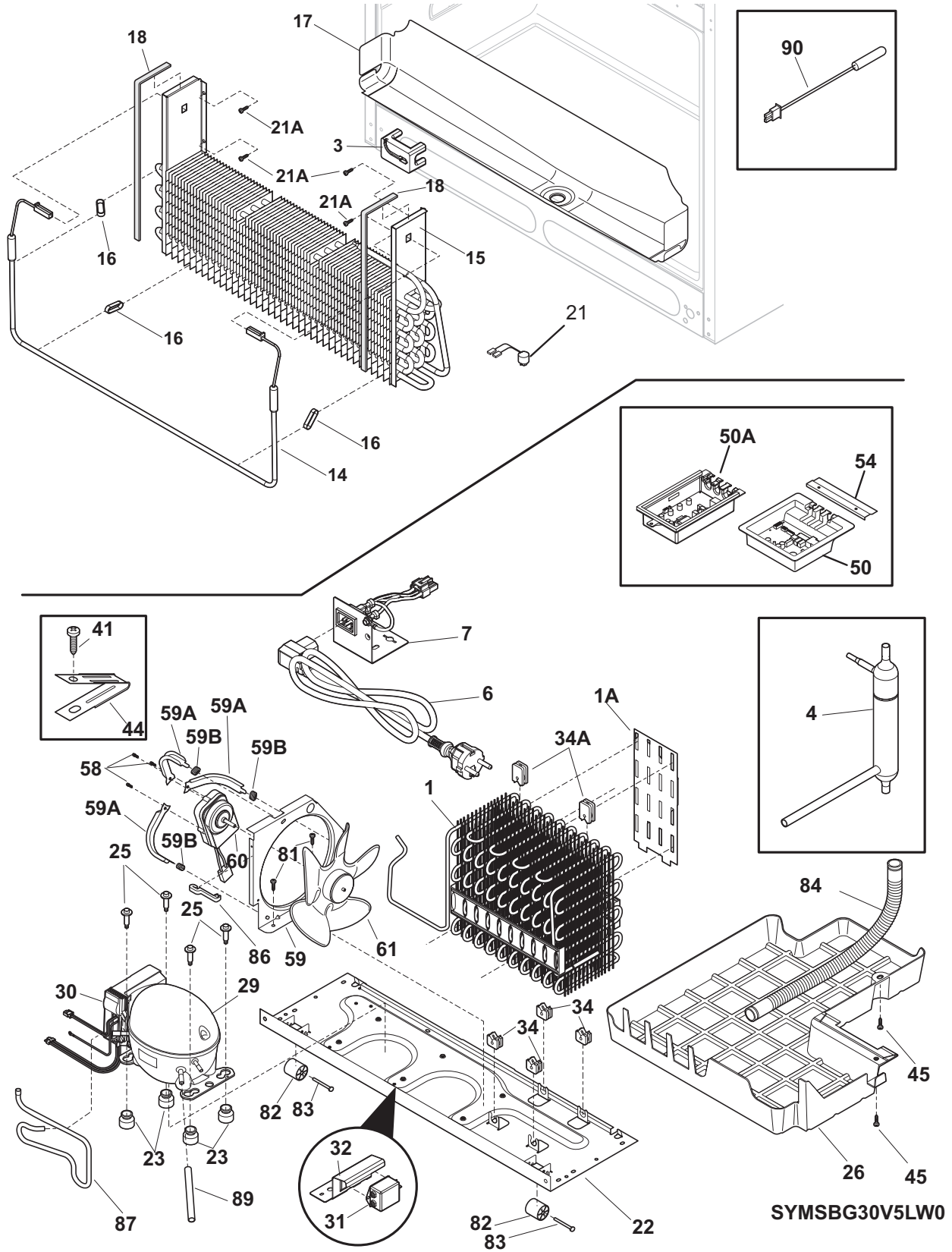
COOLING SYSTEM



COOLING SYSTEM

| POS. NO | PART NO. | DESCRIPTION |
|---------|------------|---|
| 1 # | 241862901 | Condenser |
| 1A | 241987301 | Deflector-air, condenser |
| 3 | 241838401 | Block-evap coil, styrofoam insul, RH |
| 4 | 242047501 | Drier-filter |
| 6 # | 241723306 | Cord-service |
| 6* # | 242045301 | Harness-wiring, machine compt |
| 7 # | 241736102 | Bracket, receptacle |
| 14 # | 240356227 | Heater-defrost, 220 V |
| 15 # | 242044501 | Evaporator |
| 16 | 5308000110 | Strap-evap/heater, aluminum, (2) |
| 17 | 241791201 | Trough-drain |
| 18 | 241860101 | Gasket, closed cell |
| 21 # | 242121701 | Thermostat-defrost |
| 21*# | 242121702 | Thermostat-defrost |
| 21A | 218362501 | Screw, hex washer head, 8-18AB x 1.250, spacer, (2) |
| 22 | 241602112 | Base-compressor, w/rollers |
| 22* | 218252201 | Screw, #8 truss hd, 10-32CA x 0.500 |
| 23 | 218513300 | Grommet-compr mtg, (4) |
| 25 | 240491503 | Screw-compressor mtg, 1/4-28 x 1.16, (4) |
| 26 | 241920603 | Pan-defrost |
| 29 # | 241706206 | S/A PUR-COMPRESSOR-EMBRACO, 29 # |
| 30 | 241577507 | Invertor |
| 31 # | 241980401 | Filter, electrical, EMC |
| 31*# | 241980201 | Harness-wiring, EMC FILTER, EMC FILTER |
| 32 | 242052801 | Bracket, filter mounting |
| 32* | 240433204 | Screw, hex washer head, 8-18 x 5/16 |
| 34 | 241929901 | Grommet-cond mtg, (4) |
| 34A | 241929902 | Grommet-cond mtg, (4) |
| 41 | 240555002 | Screw-#8-32 X 3/8 |
| 44 | 215174700 | Clamp-service cord, strain relief, galv steel |
| 45 | 5304455650 | Screw, hex washer head, 8-15A x 0.625, Low Profile |
| 50 # | 241996341 | Board-main power, 220 |
| 50*# | 242068401 | Harness-wiring |
| 50A# | 241891603 | Board-LED power |
| 50A* | 241852501 | Clip, wiring harness |
| 54 | 241532401 | Channel |
| 58 | 240433203 | Screw, hex washer head, 8-18 x 3/8 |
| 59 | 240315506 | Shroud-cond fan, cond fan motor |
| 59* | 240346701 | Tape-foam seal, shroud |
| 59A | 240346502 | Bracket-support, cond mtr, (3) |
| 59B | 240346601 | Grommet-bracket, (3) |
| 60 # | 241657102 | Motor-condenser fan |
| 61 | 241639501 | Blade-condenser fan |
| 81 | 240359403 | Screw-fan shroud, (2) |
| 82 | 5304418225 | Roller, compressor base, rear, (2) |
| 83 | 5304455655 | Rivet, flat head, 1/4 OD x 1-3/4, roller pin |
| 84 | 241830902 | Tube-drain, lower |
| 84* | 242036801 | Clip-tube, drain |
| 86 | 240409302 | Spacer-cond tube, black |
| 87 | 241846302 | Tube-suction, jumper |
| 89 | 215346900 | Tube-process |

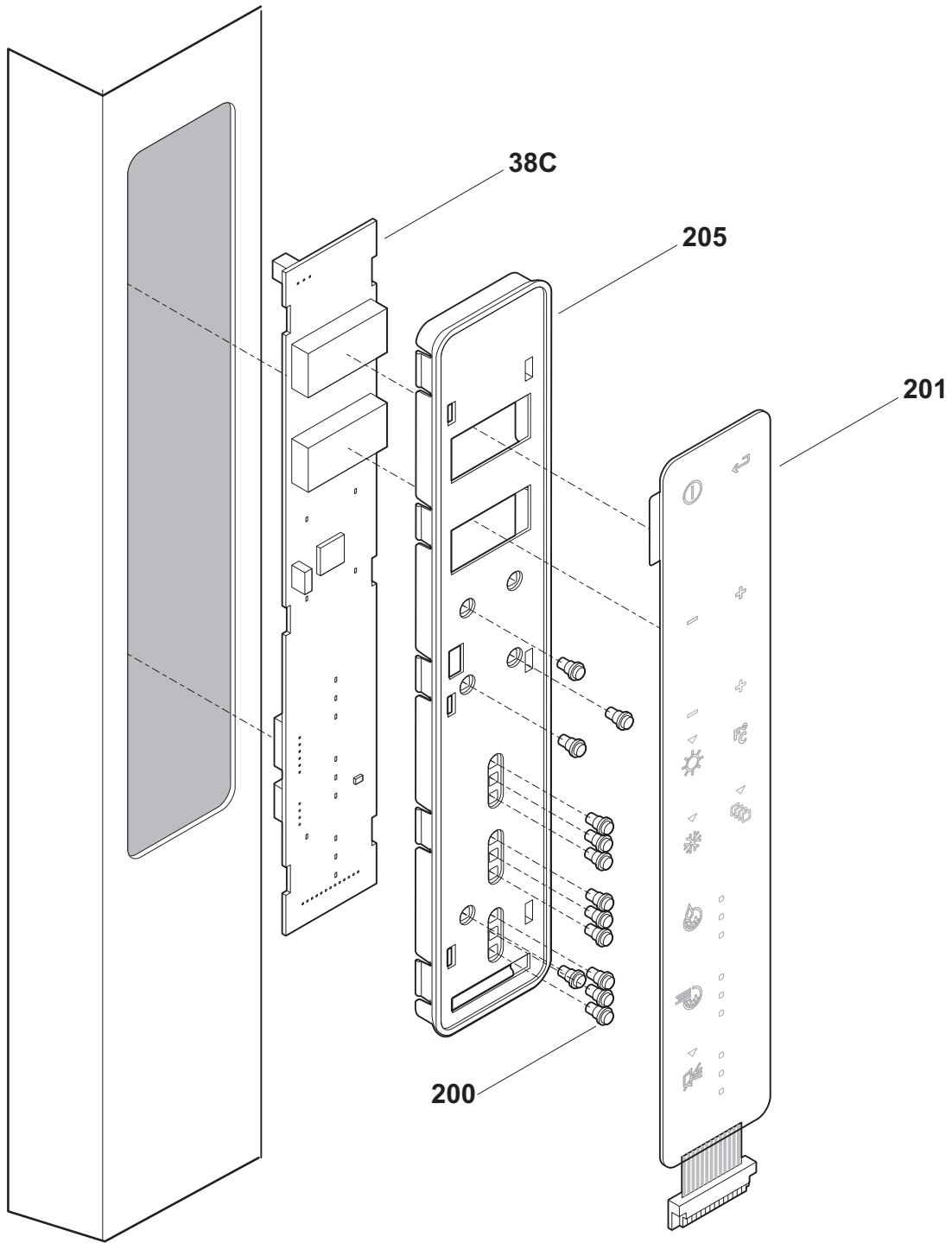
COOLING SYSTEM



COOLING SYSTEM

| POS. NO | PART NO. | DESCRIPTION |
|---------|------------|---|
| 90 | 240597203 | Sensor |
| 90* | 241842301 | Cap-thermistor |
| * | 3205266 | Edge Protector, wiring harness |
| * | 218515401 | Clip-grille |
| * | 241947701 | Spacer, heat exchanger |
| * | 5303918428 | Hot Tube Repair Kit, service |
| * # | 241510904 | Harness-dispenser, grounding |
| * # | 5303918445 | Heat Exchanger Kit, suction line, service |

CONTROLS

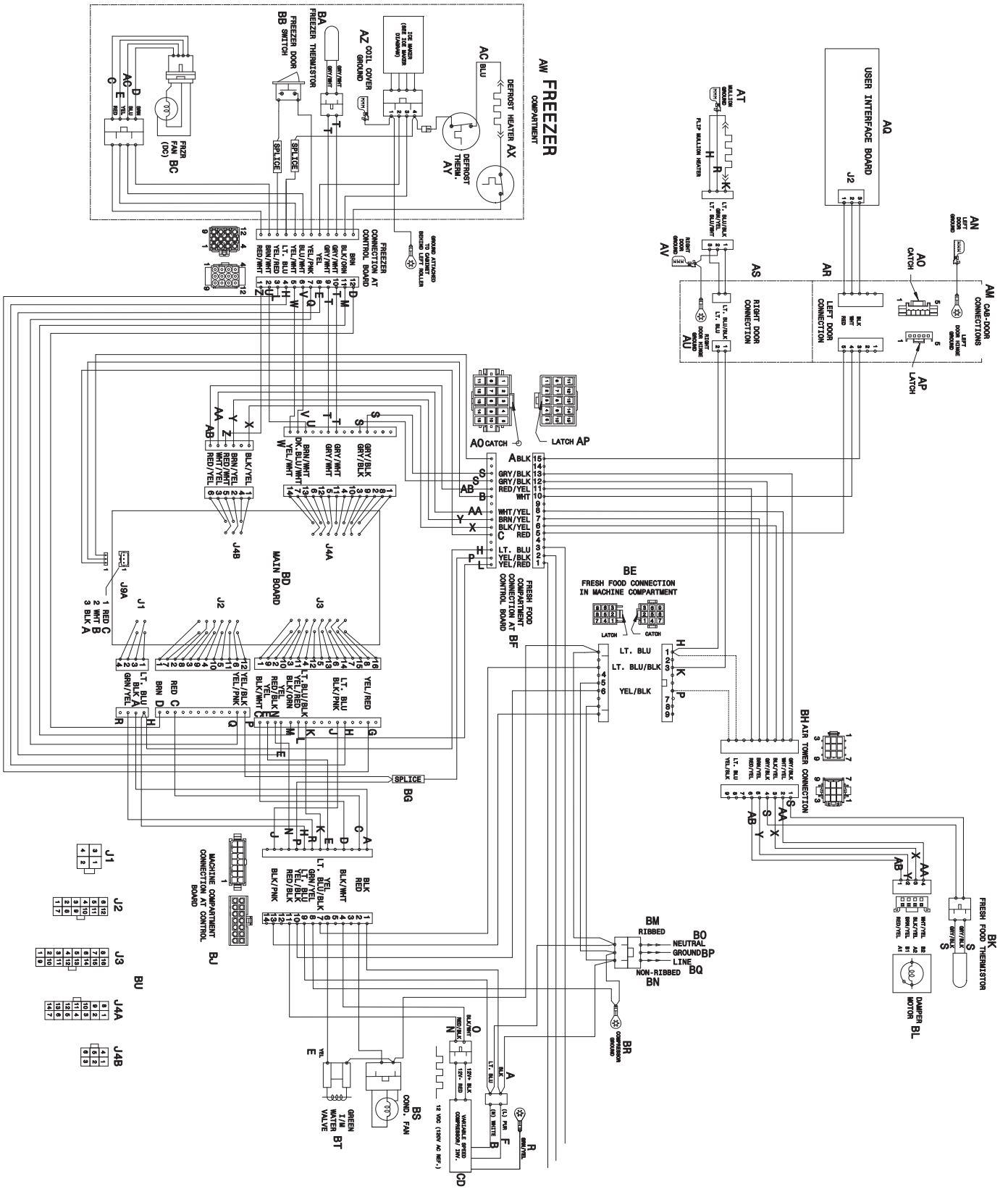


FD58XNDAAA0

CONTROLS

| POS. NO | PART NO. | DESCRIPTION |
|---------|------------|------------------------------|
| 38C# | 242048305 | UI CONTROL PCB, 38C# |
| 200 | 241609201 | Light Pipe |
| 201 | 242129602 | MEMBRANE-UI ND BM FRIGIDAIRE |
| 205 | 242066202 | Housing, disp/controls |
| * | 241510904 | Harness-dispenser, grounding |
| * # | 5303918371 | Dispenser heater kit, 115 |

WIRING DIAGRAM



WIRING DIAGRAM

